

NovaSeal™ & NovaSeptum® Crimping Tools

Securely seal and separate single-use tubing

Maintain a sterile fluid path

NovaSeal™ pinch pipes ensure that sterility is maintained and that the fluid is securely protected from the outside environment at all times. Our unique crimping tool designs utilize size-specific Cutting Dies to seal and separate a pinch-piped tube in one simple motion. The pinch-pipe/tubing combination, along with the crimping tool, enables a leak free disconnection of your single-use assembly.

The patented design of the crimping tool seals and separates the flow path as the pinch-pipe is crimped and cut, enabling the sterile separation of tubing. As part of the Mobius® family of single-use bioprocessing technologies, NovaSeal™ technology enables easy and secure separation of tubing in single-use assemblies.

The right tool, the right size

Crimping tools are offered in 2 sizes, NovaSeptum® manual crimping tool for 3 mm x 6 mm OD tubing and NovaSeal™ battery-powered crimping tool for use on ¼ inch, ⅜ inch, and ½ inch ID tubing with a wall thickness of ⅛ inch.



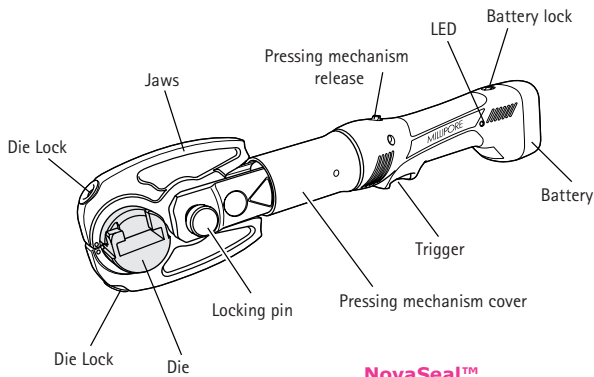
Benefits

- Sterile Disconnection method
- Quickly seals silicone and thermoplastic elastomer tubing
- Light weight and portable devices
- Fast and efficient cycle time
- Compatible with a variety of silicone and TPE tubing*
(*Please see Validation Guide)

Easy to use

In one motion, the tube of your single-use assembly can be crimped to ensure a leak free and sterile seal then cut to disconnect the tubing.

1. Place the tubing with metallic pinch-pipe into the die of the tool.
2. Squeeze the trigger switch on the handle of the tool to complete the crimp and cut cycle.
3. Remove the sealed tube from the jaw set.



**NovaSeal™
Battery-Powered
Crimping Tool**

NovaSeal™ Battery-Powered Crimping Tool

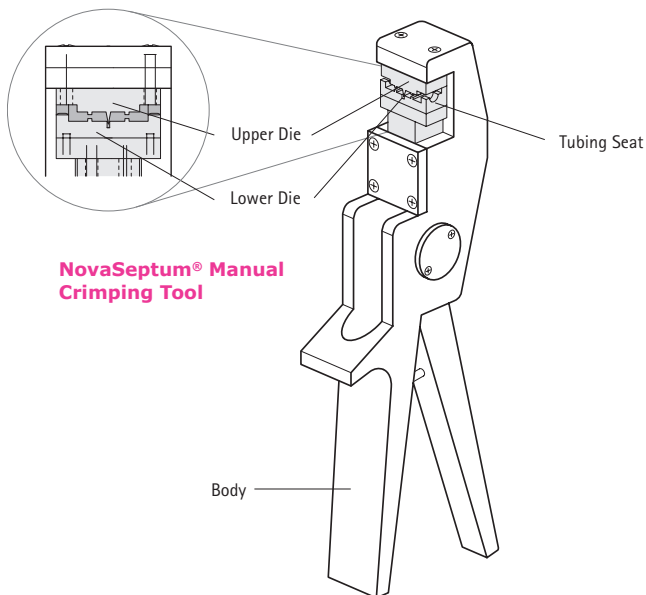
Dimensions

Weight 2.5 kg (5.5 lbs)

Materials of Construction

Body	Polyamide
Crimping jaws	Nickel-plated steel
Crimp and cut die	Nickel-plated steel
Screws and bearings	Stainless steel

Cycle Time	approximately 4 seconds
Thrust Force	15 kN
Battery Voltage	10.8 V
Battery Charging Time	approximately 40 minutes
Cycles per charge	100–150
Operating Temperature Range	5 to 50 °C
Sound Level	70.6 dB (A) at a distance of 1 m
Vibrations	<2.5 m ²



**NovaSeptum® Manual
Crimping Tool**

NovaSeptum® Manual Crimping Tool

Materials of Construction

Body	Aluminum
Lower die	Steel with hardened special surface treatment
Upper die	Steel with hardened special surface treatment
Screws and bearings	Stainless steel

Ordering Information

NovaSeal™ Battery-Powered Crimping Tool Kit

100–120 V US and Japan plug	NM0043
220–240 V Europe plug	NM0044
220–240 V UK plug	NM0045

NovaSeal™ Crimping Tool Replacement Parts

Battery chargers

100–120 V US and Japan plug 10.8 V Li-Ion	NM0046
220–240 V Europe plug 10.8 V Li-Ion	NM0047
220–240 V UK plug 10.8 V Li-Ion	NM0048

Extra/replacement battery, 10.8 V Li-Ion	NM0042
---	--------

Universal Jaw Assembly	NM0025
-------------------------------	--------



NovaSeal™ Battery-Powered Crimping Tool Kit

Tool kit includes the crimping tool, battery, charger, and jaw assembly. Die is not included.

NovaSeal™ Cutting Die, Pinch Pipe & Protective Cap

Tubing: ¼ in. ID x ½ in. OD

Cutting Die	NM0021
Pinch Pipe (100 count)	NM0001PK100
Silicone Protective Cap (200 count)	NM0039

Tubing: ⅜ in. ID x ⅝ in. OD

Cutting Die	NM0022
Pinch Pipe (100 count)	NM0019PK100
Silicone Protective Cap (200 count)	NM0041

Tubing: ½ in. ID x ¾ in. OD

Cutting Die	NM0023
Pinch Pipe (100 count)	NM0002PK100
Silicone Protective Cap (200 count)	NM0040



NovaSeal™ Dies and Pinch pipes



NovaSeal™ Pipe with silicone covers

NovaSeptum™ Manual Crimping Tool

Tubing: 3 mm ID x 6 mm OD

Manual Crimping Tool	A100
Cutting Die	A104
Pinch pipe, in package of 100	NS6-15-05PK100
Silicone end cover, in package of 200	NSTP-3X6



NovaSeptum® Manual Crimping Tool

For additional information, please visit
SigmaAldrich.com

To place an order or receive technical
assistance, please visit
SigmaAldrich.com/offices

MilliporeSigma
400 Summit Drive
Burlington, MA 01803

